
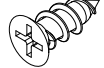

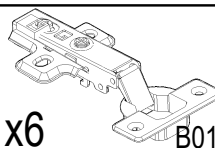
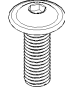
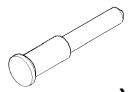

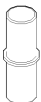
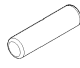



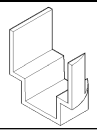


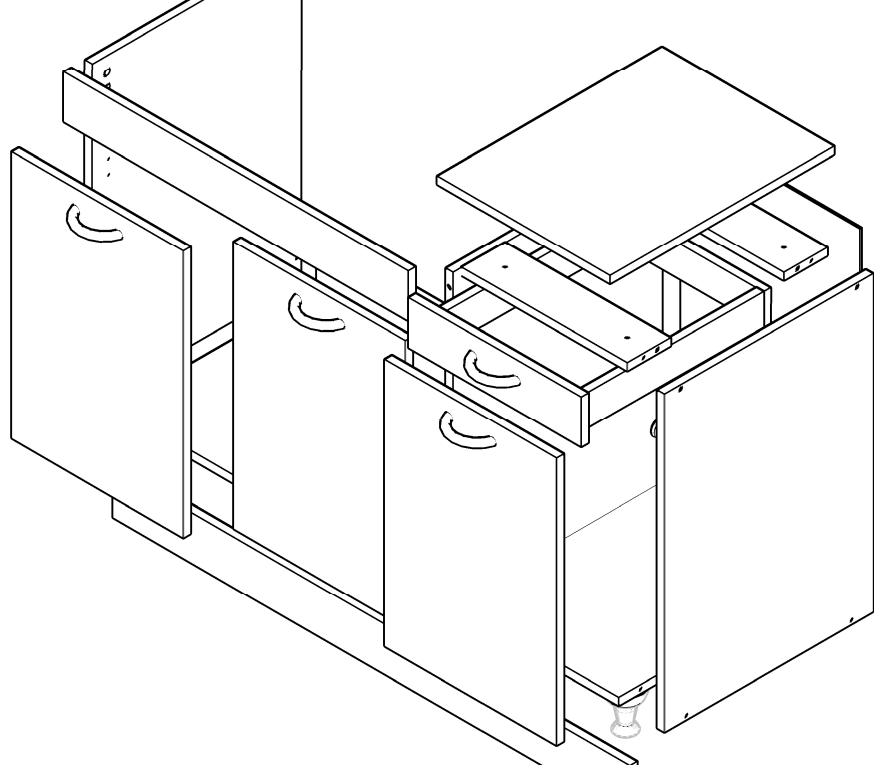
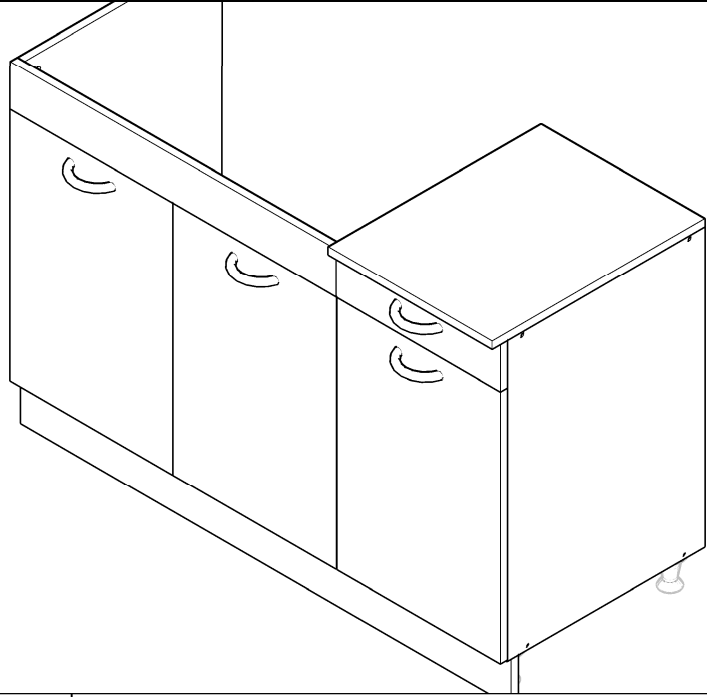


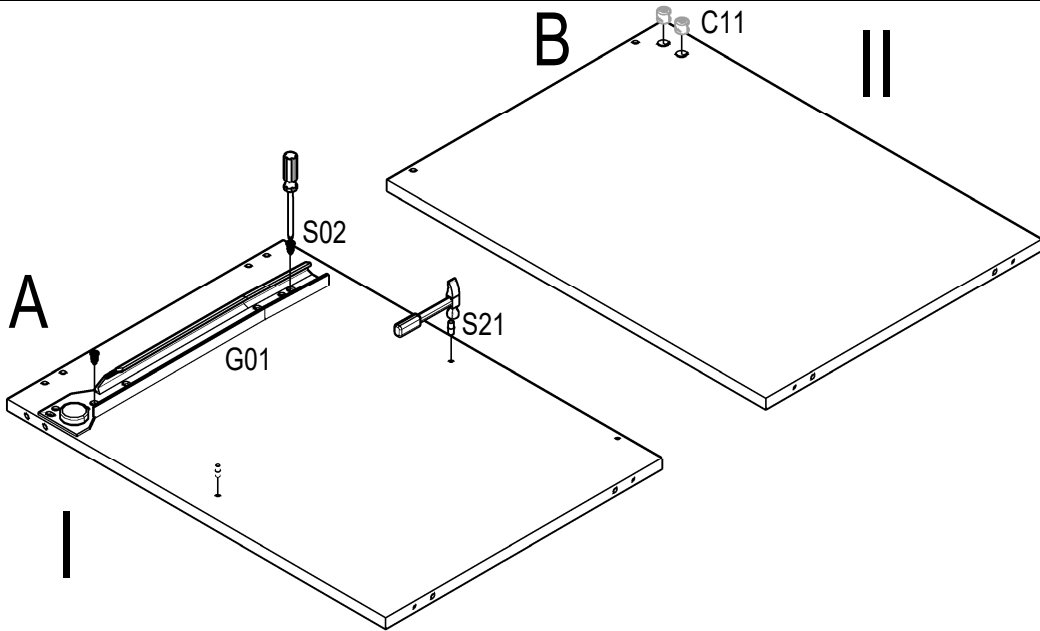
NR.122

 3.5x16 S02 x65	 3.5x25 S03 x4	 D01 x1	 x6	 M4x22 S11 x8	 S01 x14
 M01 x4	 S21 x4	 C01 x14	 P01 x4	 C10 x8	 C11 x8

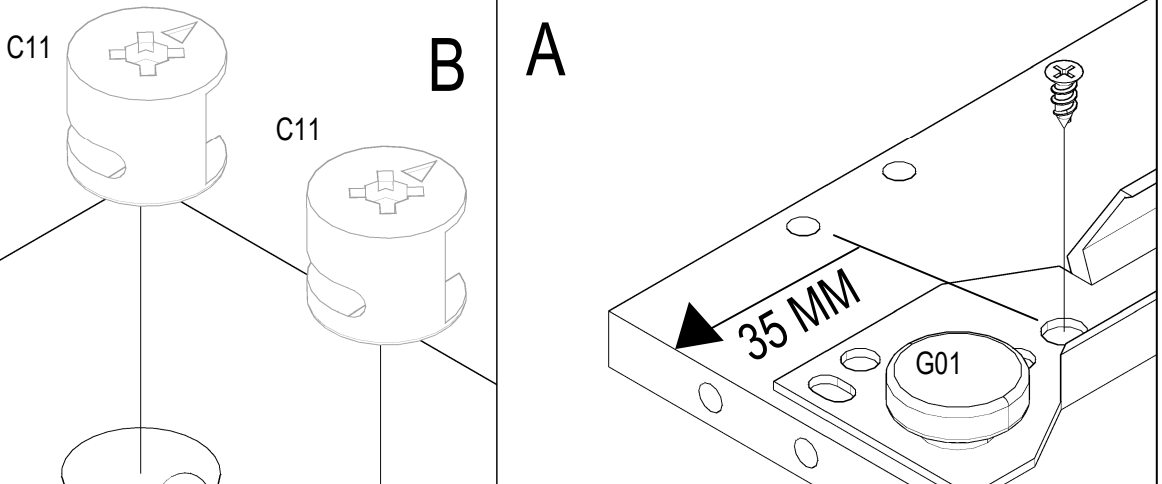
 CL x2
 G01 X 2
 G02 X 2



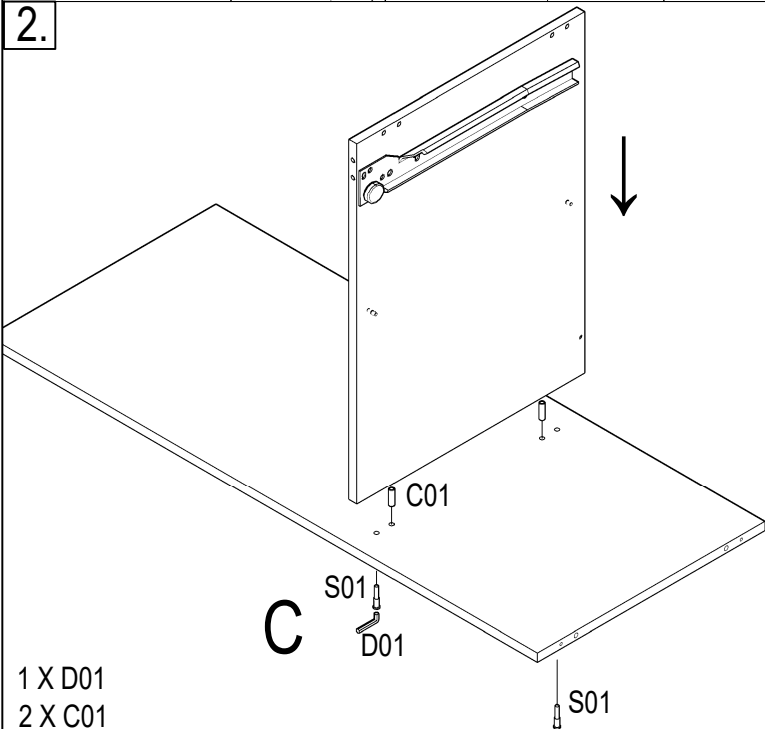
1.



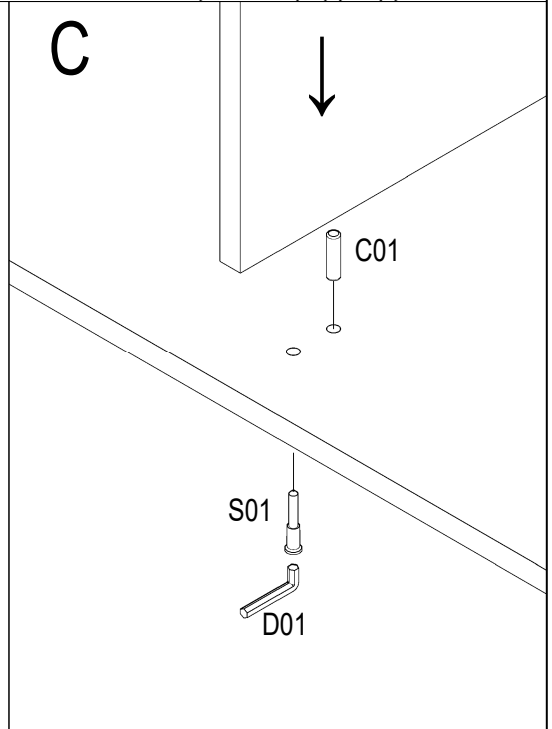
- 2 X C11
- 1 X G01
- 2 X S21
- 2 X S02



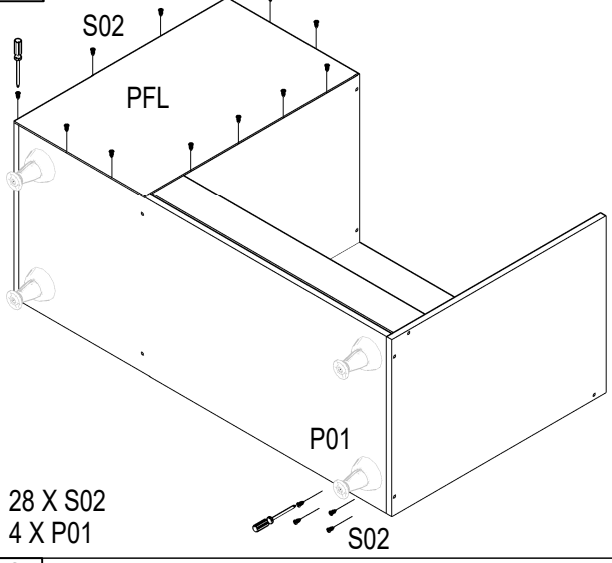
2.



- 1 X D01
- 2 X C01
- 2 X S01

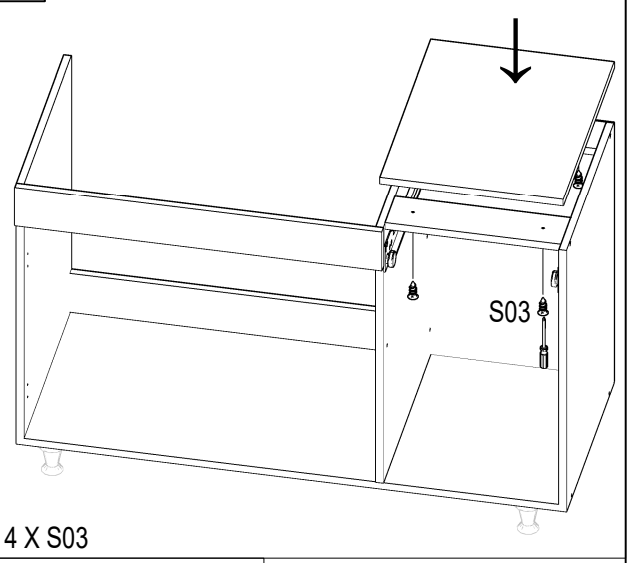


6.



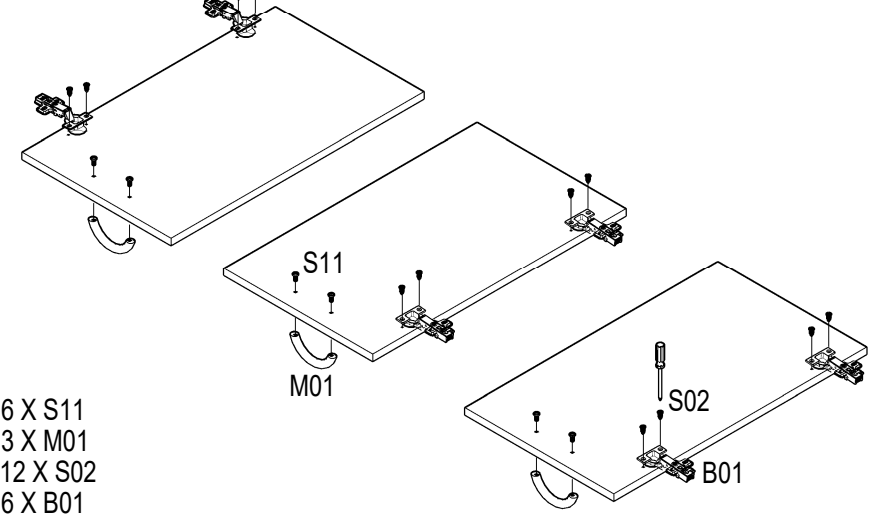
28 X S02
4 X P01

7.



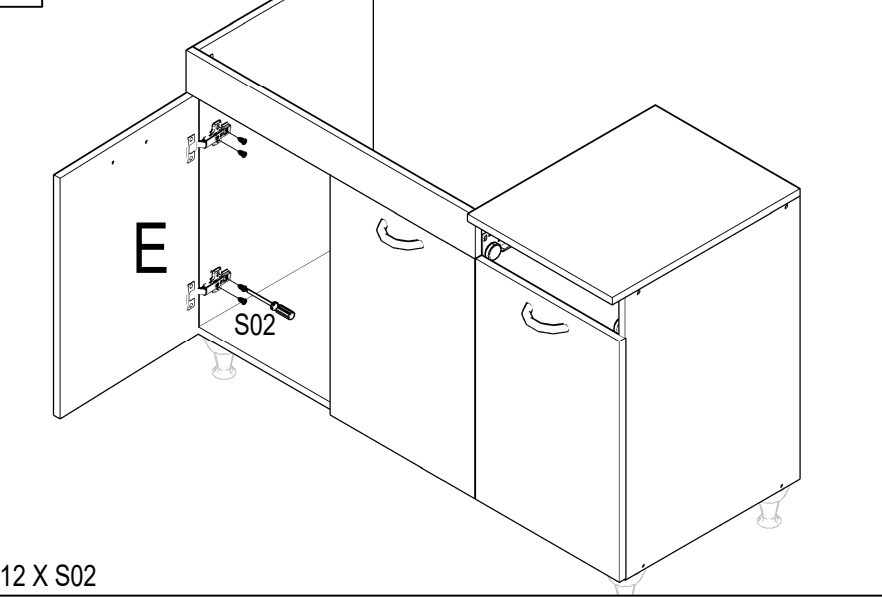
4 X S03

8.

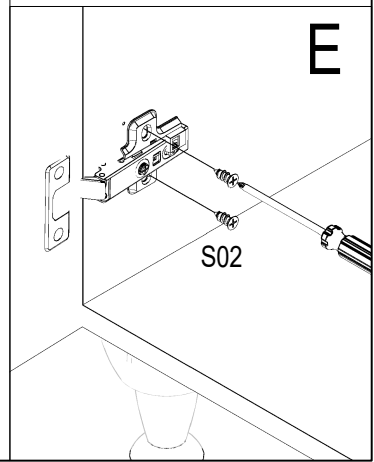


6 X S11
3 X M01
12 X S02
6 X B01

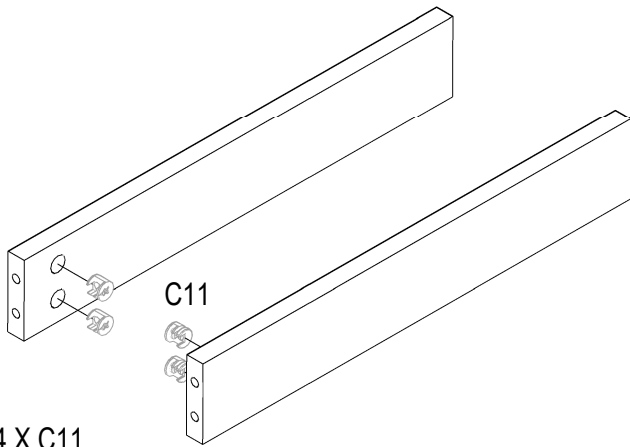
9.



12 X S02

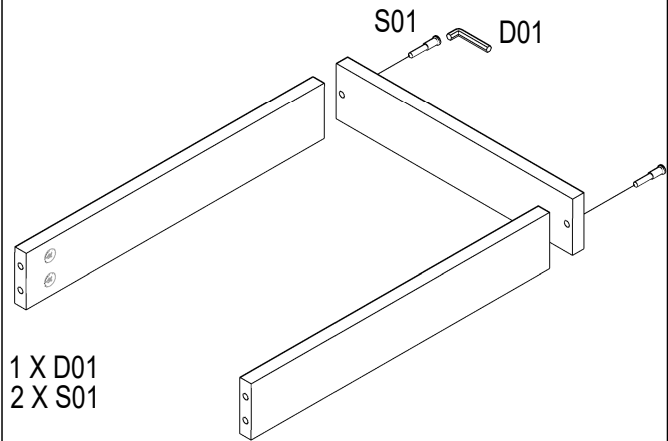


10.



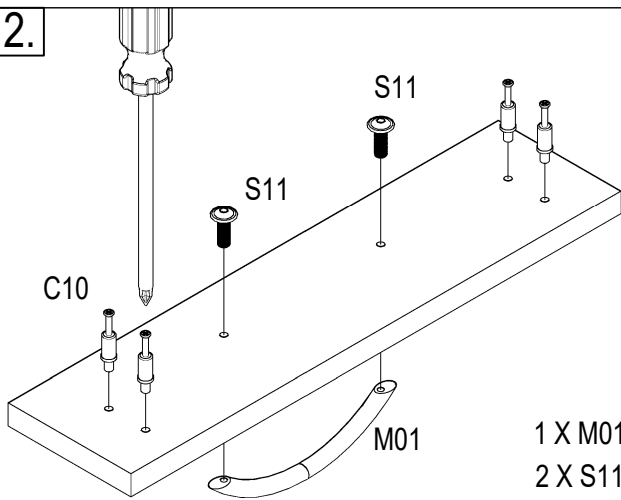
4 X C11

11.



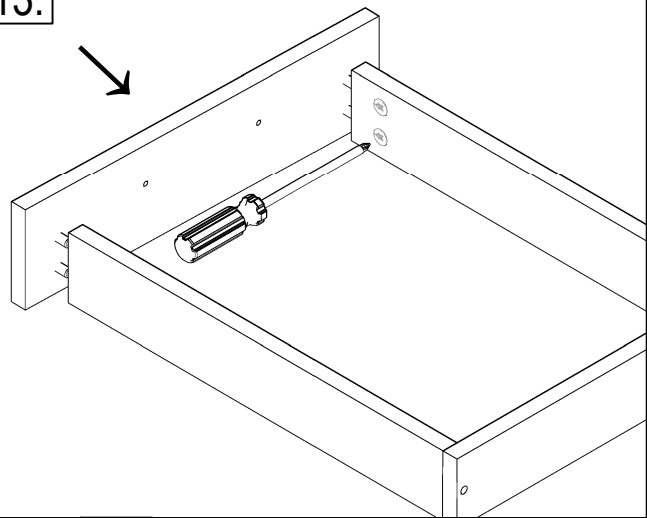
1 X D01
2 X S01

12.

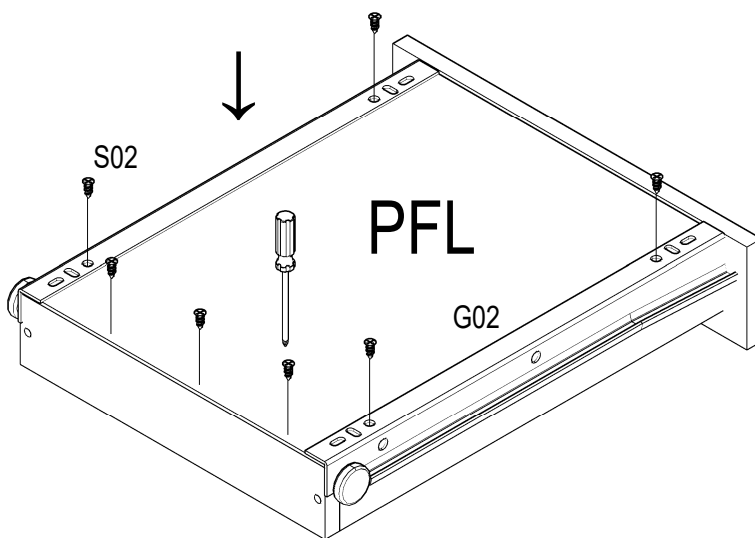


1 X M01
2 X S11
4 X C10

13.

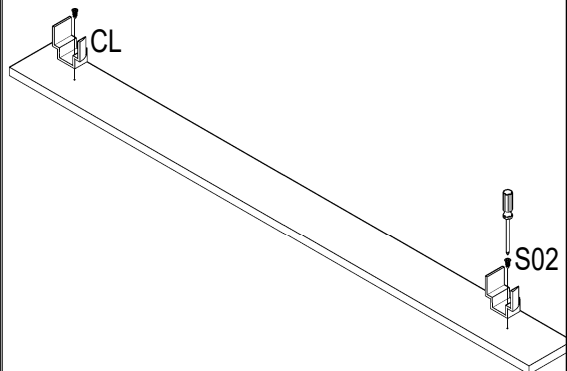


14.



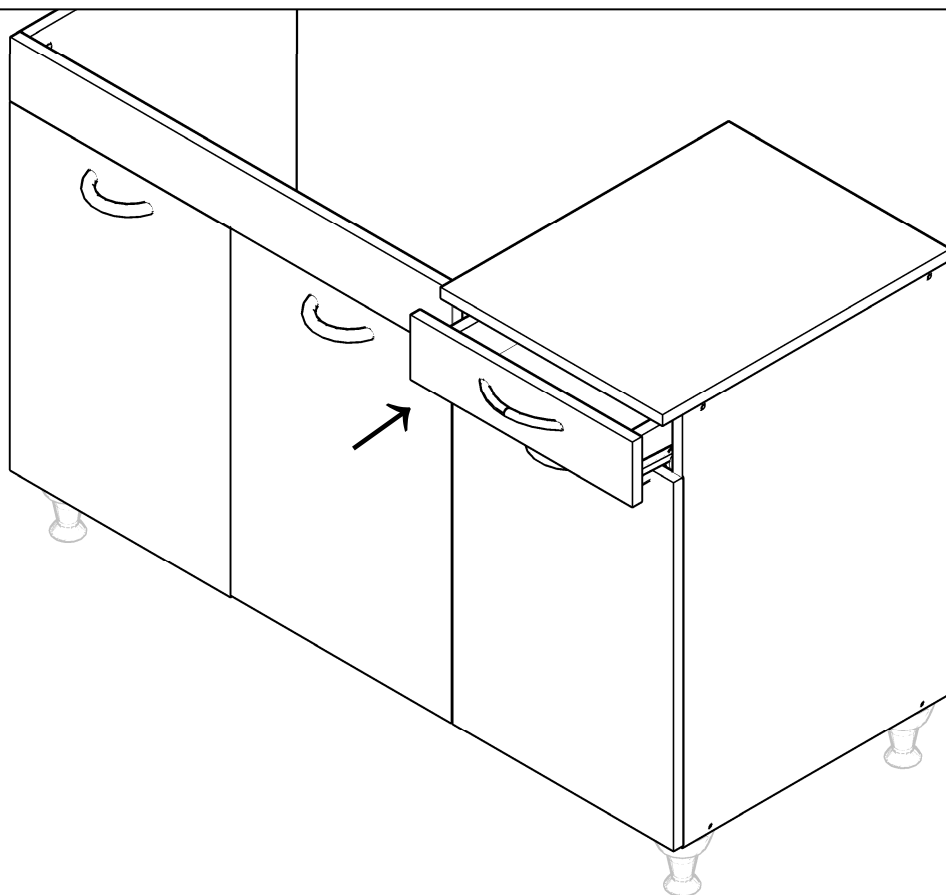
2 X G02
7 X S02

15.

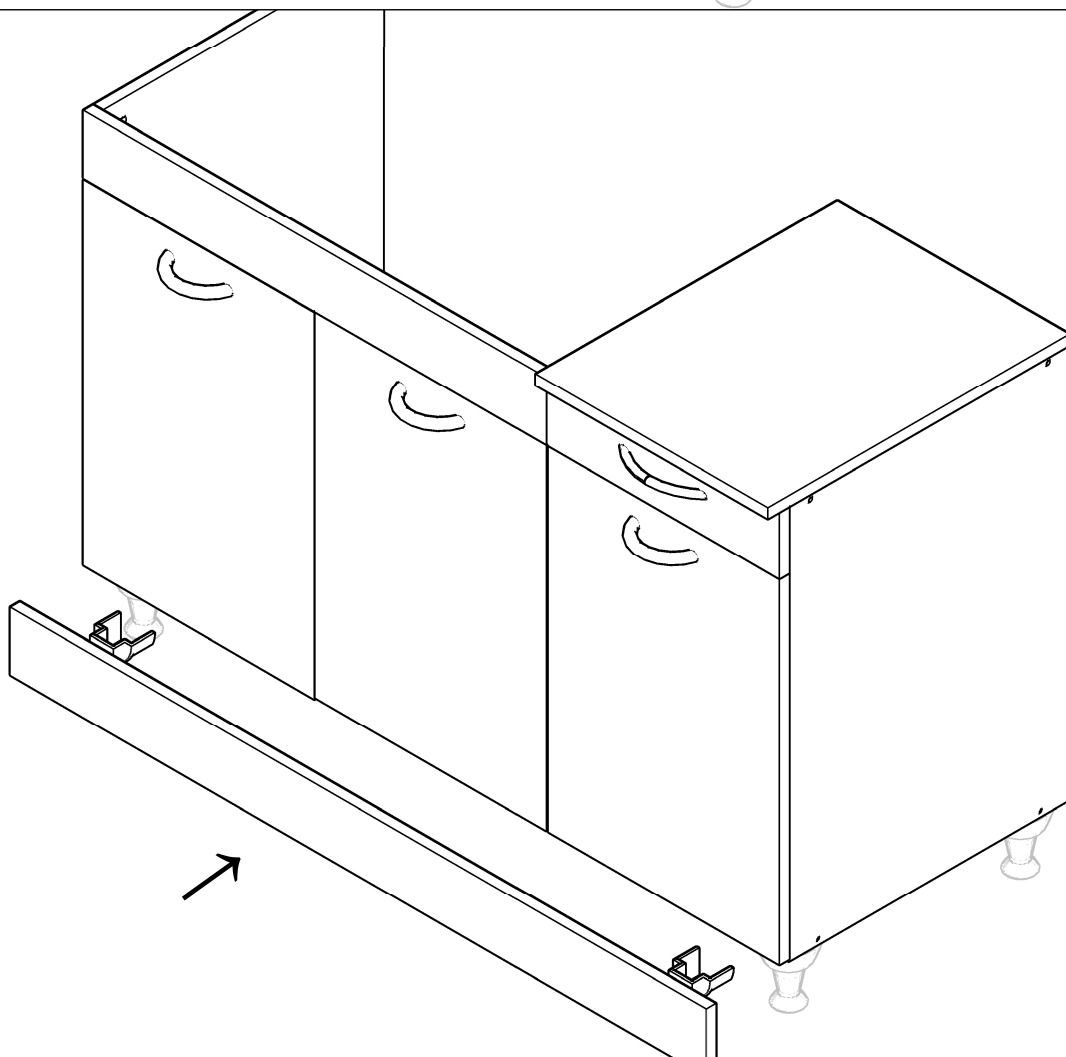


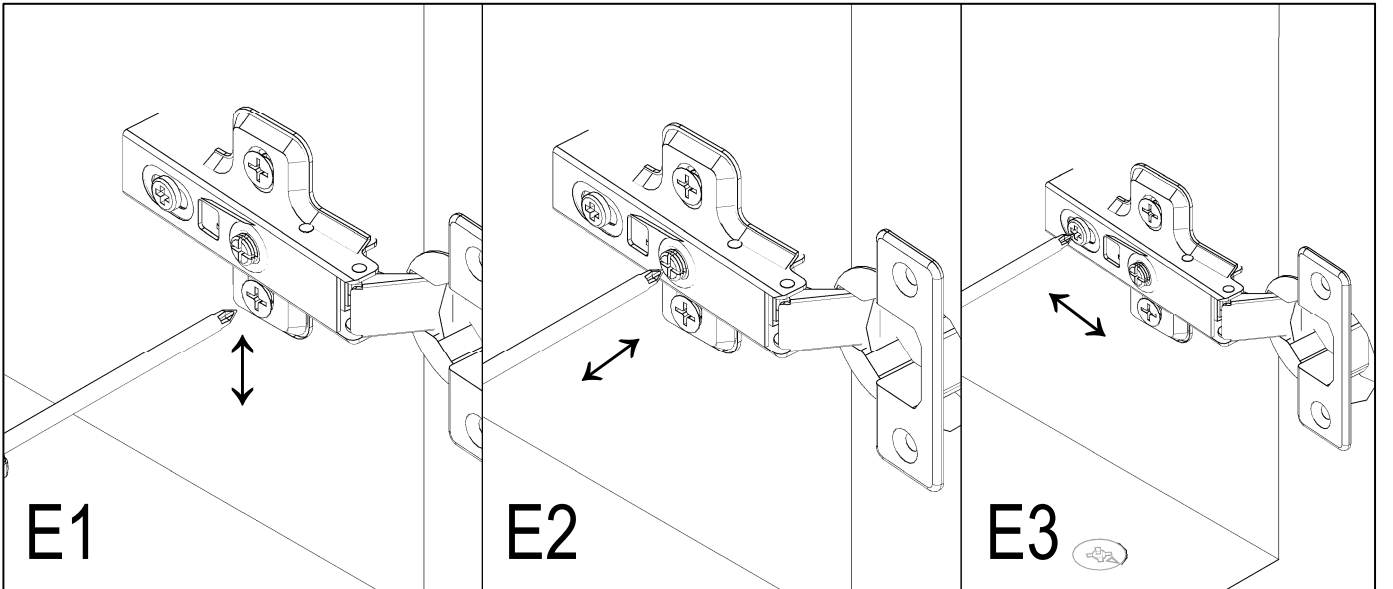
2 X S02
2 X CL

16.



17.





E1

E2

E3

HEIGHT ADJUSTEMENT

SIDE ADJUSTEMENT

DEPTH ADJUSTEMENT